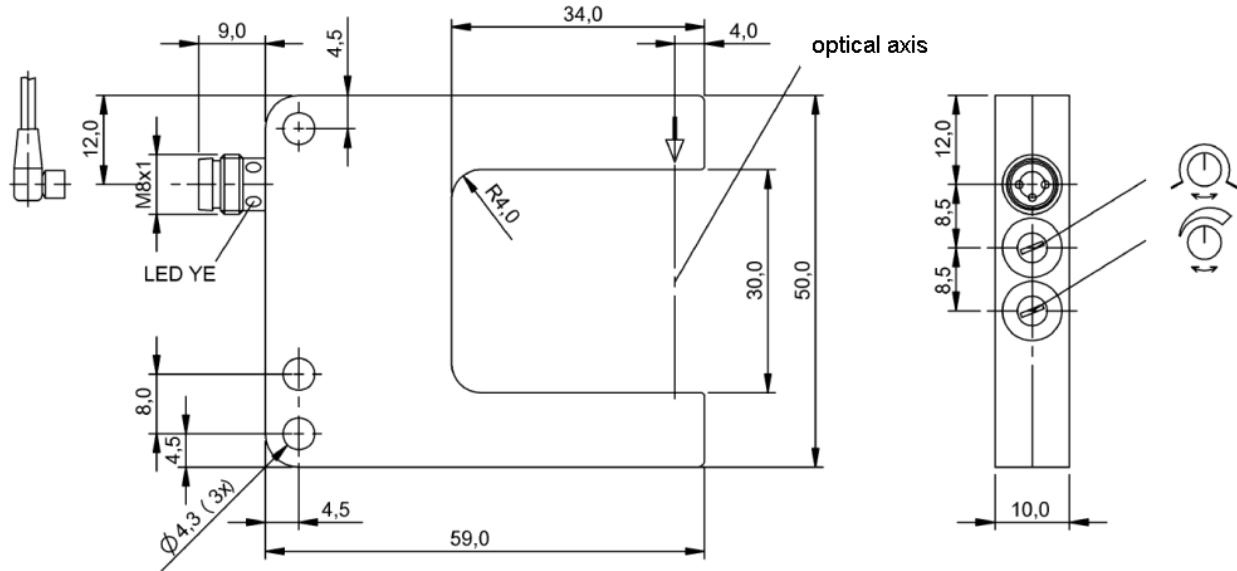


BGL 30A-001-S49  
BGL0016

30 mm  
PNP

**BALLUFF**  
sensors worldwide



**Electrical data:**

Load current capacity max. (I <sub>e</sub> )	200 mA
Switching output	PNP
Operating frequency (f)	1500 Hz
Current Consumption I <sub>o</sub> max. (No Load)	35 mA
Supply voltage min.	10 V
Supply voltage max.	30 V
Voltage drop U <sub>d</sub> max. at I <sub>e</sub>	3 V
Switching element function	NO/NC switchable
Hysteresis max (H)	=0,1

**Mechanical data:**

repeatability	0,02 mm
Ambient temperature max.	+60 °C
Ambient temperature min.	-10 °C
weight	36 g
Sensing face material	Glass
Housing material	GD Zn
Resolution max.	0,3 mm
Slot width	30 mm

**General data:**

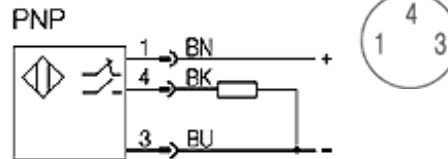
sensitivity adjustment	Potentiometer: 0...270°
Type	Fork-thru-beam
Function indication	yes, yellow LED
Short circuit protected	yes
Degree of protection IP	IP 67
Protected against polarity reversal	yes

**Optical data:**

Emitter type	red light
wave length of emitted Light	640
permissible ambient light	5000

**Wiring:**

Pinout:  
Pinout



[www.balluff.com](http://www.balluff.com)

Balluff Europe: +49 7158 173 -0  
Balluff USA: 1-800-54 3-83 90  
Balluff Asia: +86 21-50 64 41 31

Online Productinformation  
2010-03-12